

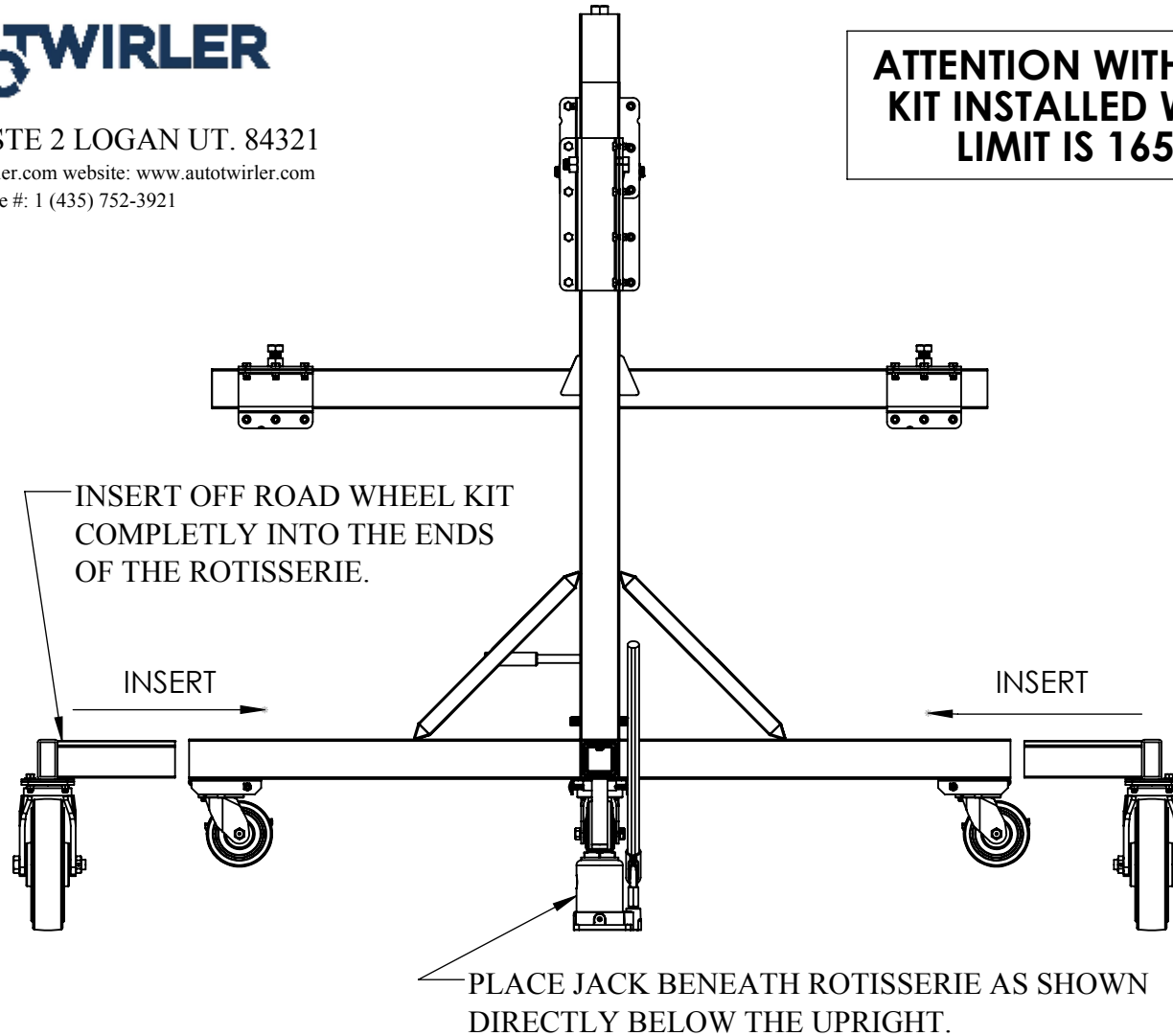
AUTOTWIRLER

675 N 600 W STE 2 LOGAN UT. 84321

email: info@autotwirler.com website: www.autotwirler.com

phone #: 1 (435) 752-3921

**ATTENTION WITH WHEEL
KIT INSTALLED WEIGHT
LIMIT IS 1650LB**



OFF ROAD WHEEL KIT INSTRUCTIONS

1. Chock wheels on the opposite end of the rotisserie that you are jacking up.
2. Place jack directly under rotisserie stand. (See picture)
3. Raise jack high enough to easily insert the Off Road Wheel Kit.
4. Position wheels to extend inside of the rotisserie so they don't extend the length of the rotisserie.
5. Insert Wheel Kit wheels all the way in until it stops. (See picture)
6. Lower the Jack and repeat all of the steps for the opposite end.