

CONTENTS OF BOX 1

DESCRIPTION	QTY	PART #
CORNER POST	4	AT-SBC-W001
SUPPORT ARM	4	AT-SBC-W002
CONNECT TUBE	4	AT-SBC-003
1/2" X 3" BOLT	8	1-A077
1/2" X 13 TPI NYLOC NUT	8	1-A026

CONTENTS OF BOX 2

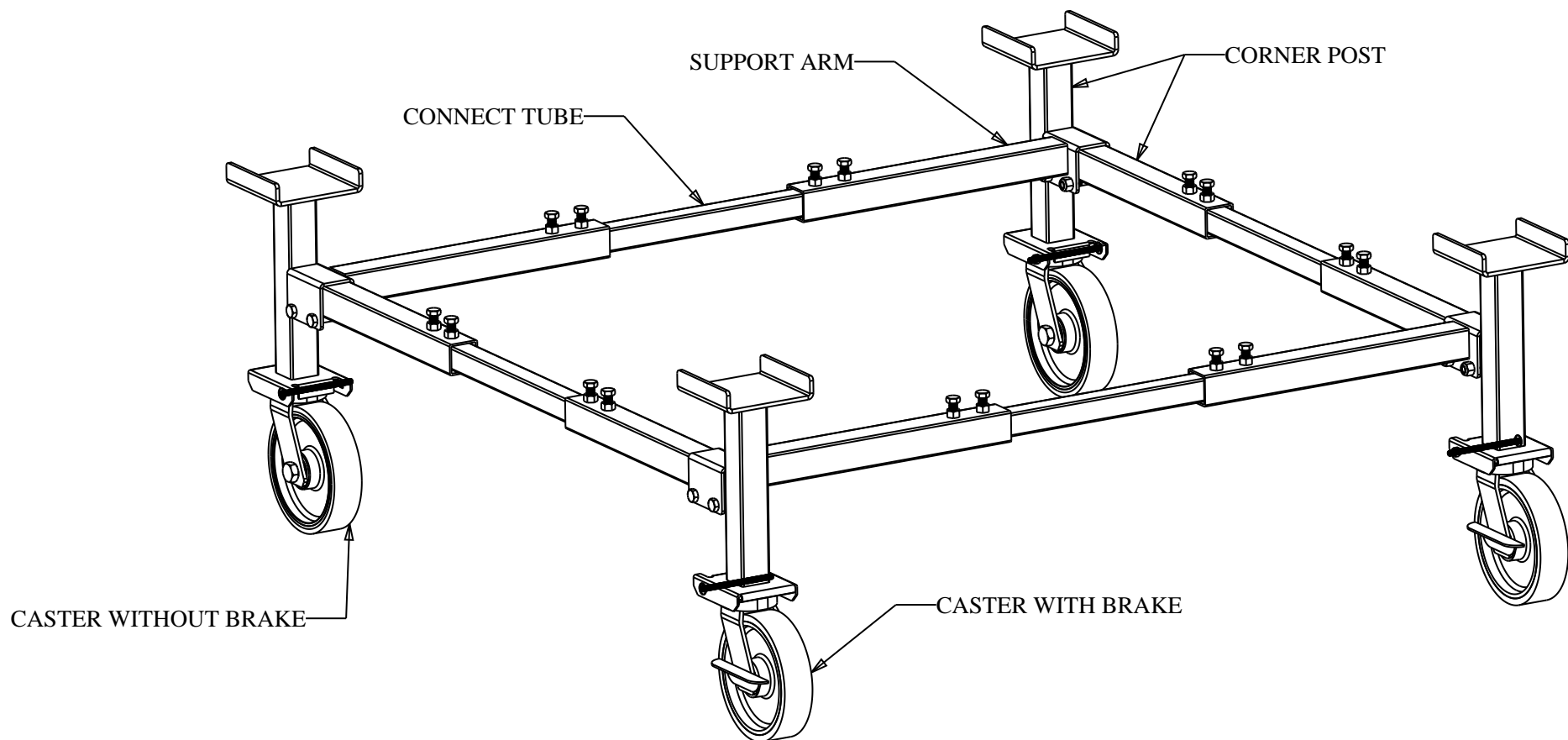
DESCRIPTION	QTY	PART #
8" CASTER	2	W-C8X2P-TWIRL
8" CASTER W/ BRAKE	2	W-C8X2P-BK-TWIRL
3/8" X 5" CARRIAGE BOLT	4	
3/8" NYLOC NUT	4	

AutoTwirler®

675 N 600 W STE 2, LOGAN UTAH, 84321

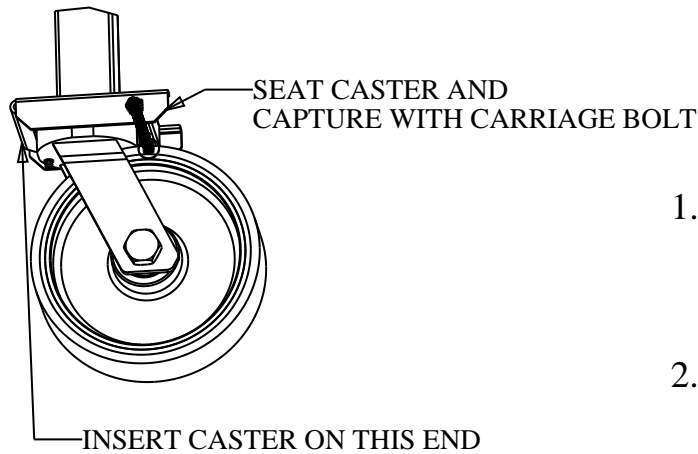
email: info@autotwirler.com website: www.autotwirler.com
3/23/15

AUTO TWIRLER CLASSIC BODY CART

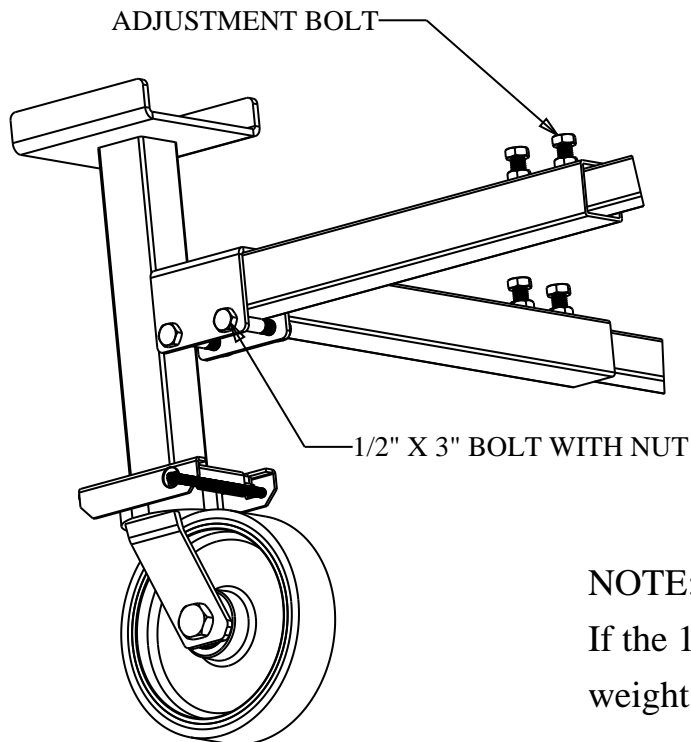


Assembly Instructions

****ALL BOLTS SHOULD BE CHECKED, EVERY TIME, BEFORE PUTTING ANY WEIGHT ON THE CART****



- 1.) Assemble the wheels to the corner posts by sliding the caster upwards at an angle into the caster pad, then seat the caster and capture with the 3/8" carriage bolt provided. Do this for all four corner posts.
- 2.) All four corner posts are the same. To best utilize the body cart, have all the post channels oriented in the same direction.
- 3.) To assemble the cart, begin at one corner post and attach the support arm with the provided 1/2" x 3" bolts. Then slide a connect tube into the support arm, and snug the adjustment bolts. Repeat this process until the body cart is assembled as shown.
- 4.) Adjustment is made by loosening the adjustment bolts, and sliding the corner posts apart in the desired direction. When adjusting, make certain both adjustment bolts still make contact with the connect tube.



NOTE: The 3,000 lb weight rating pertains to the 8" polyurethane on cast-iron wheels shown. If the 10" solid rubber wheels are ordered, the weight rating is reduced to 2,000 lb with even weight distribution.