

DESCRIPTION	QTY	PART NUMBER
UPRIGHT COUPLER	8	AT-BC-PRO-W07
CROSS MEMBER	4	AT-BC-PRO-W06
BASE	2	AT-BC-PRO-W05
LONG UPRIGHT	2	AT-BC-PRO-W04
SHORT UPRIGHT	4	AT-BC-PRO-W03
"W" BRACKET	2	AT-PRO-11
8" CASTER W/ BRAKE	2	W-C8X2P-BK-TWIRL
8" CASTER W/O BRAKE	2	W-C8X2P-TWIRL
CENTER BAR (NOT INCLUDED)		

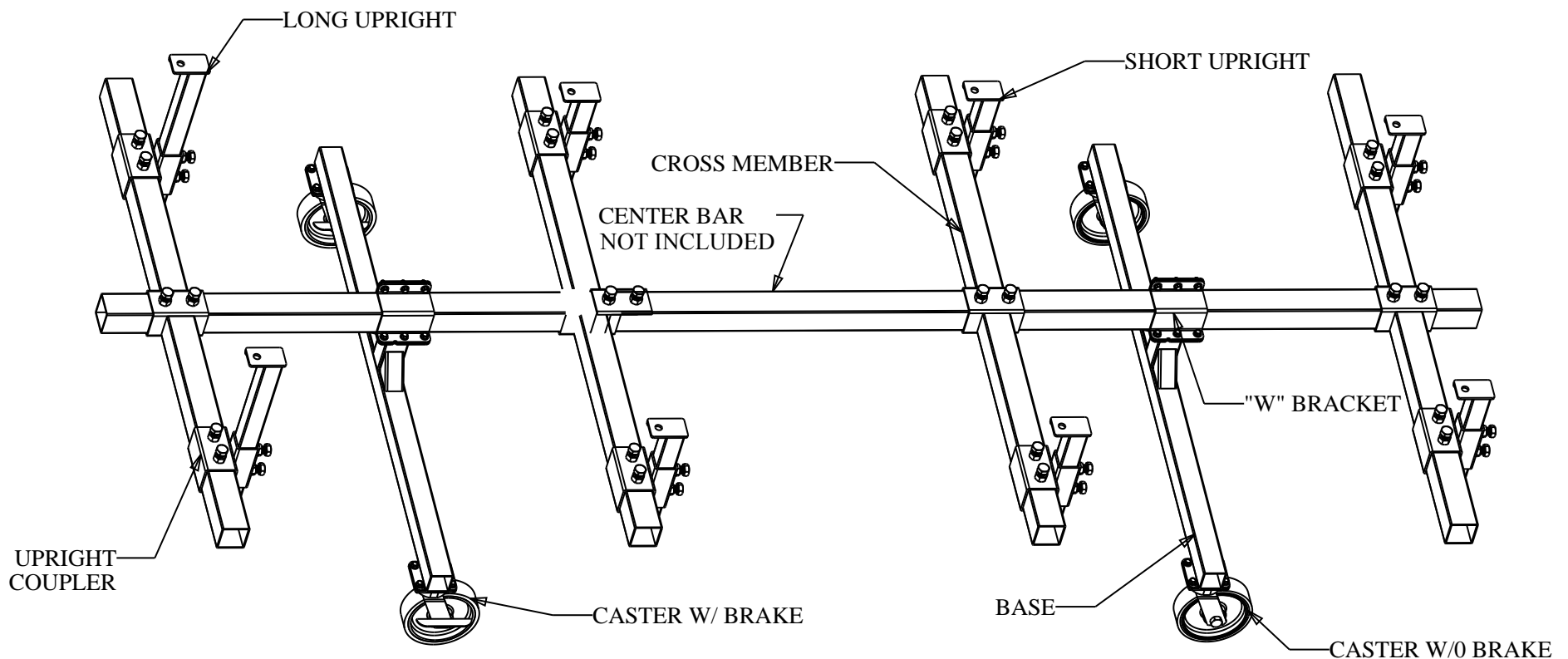
AutoTwirler®

675 N 600 W STE 2, LOGAN UTAH, 84321

email: info@autotwirler.com website: www.autotwirler.com
3/23/15

PRODUCT IS SHIPPED WITH THE FOLLOWING HARDWARE FOR ASSEMBLY	
DESCRIPTION	QTY
3/8" X 1" BOLT	28
3/8" X 16 TPI NUT	28

Auto Twirler Body Cart Pro



Assembly Instructions

- 1.) Bolt the casters onto the caster pads which are welded onto each leg, item, using 16 pcs of 3/8" bolts and nuts provided.
- 2.) Lay the center tube on one of the top plates on the center of one leg. This looks like an "L" angle with 6 holes in it. It is the bottom of the clamp that holds the center tube. Secure it with the matching "W" clamp using 6 pcs of 3/8" bolts and nuts provided. Note you can pre-assemble the clamp and slide the 3" tube into it to make it easier.
- 3.) Slide one Cross Member on the end of the center tube. Tighten the 3/4" on the center coupler.
- 4.) Slide two Cross Member on the opposite end of the center tube to position them near the center of the tube. Tighten.
- 5.) Bolt the "W" clamp onto the second leg, but leave the bolts loose. Slide the clamp onto the center tube, position it, and tighten the bolts.
- 6.) Slide on the 4th crossbar onto the end of the center tube and tighten the center bolts.
- 7.) Slide couplers onto each Cross Member, one per side. Slide mounting posts into the adjacent tube on the coupler.
- 8.) Measure body mounts on the car body you are mounting, position the posts as needed, and bolt to your car.
- 9.) Make sure all hardware is properly secure before use.

